



User Manual Kasutusjuhend

IMPORTANT! Read carefully and keep for future reference.
OLULINE! Enne kasutamist lugege hoolikalt kasutusjuhendit ning säilitage see edaspidiseks kasutamiseks.



www.voltride.com

Begode Hero v1.0

Begode Hero

ENG pages 2 - 11
EST leheküljed 12 - 21

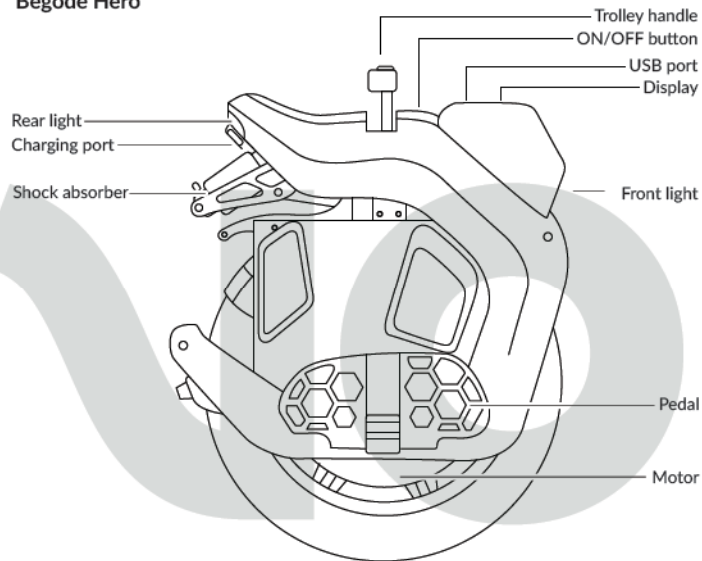
How to ride

Contents (ENG)

1. Package Contents and Product Diagram.....	3
2. Settings and Alarms	4
3. How to ride an electric unicycle	6
4. Charging	7
5. Serial number	7
6. Maintenance	8
7. Specifications	9
8. Warnings	10
9. Contact	11

1. Package Contents and Product Diagram

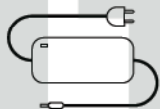
Begode Hero



User manual*



Charger



The cardboard package can be recycled.

Follow your local guidelines when recycling it.

Save trees - 17 trees are needed to produce 1 ton of cardboard

Check that all of the items pictured above are included in your scooters package. If any are missing please contact your dealer.

*In some cases the manual is sent in a digital form.

2. Settings and alarms

ON/OFF button - The electric unicycle can be switched on and off using the ON/OFF button. When switching on, hold the wheel in the upright position.

⚠ WARNING! Tilting the unicycle forwards or backwards will cause the wheel to move forwards or backwards respectively, maintaining the pedals in a horizontal position. When sideways, the wheel does not balance itself.

Transport mode - The new bike is in transport mode when packaged. To activate the transport mode, switch the wheel on using the ON/OFF button. Hold down the engine stop button and press the ON/OFF button 5 times. Then switch the wheel off and on again. The wheel is now in the riding position (balanced). In the same way, the wheel can be put back into transport mode later.

Switching off the motor - The motor cut-off button can be used to switch off the motor, for example when the wheel is being lifted. On a unicycle, there is an automatic wheel stop based on the angle of inclination if the wheel is tilted to the side by more than 35 degrees. This is designed to make it easier to park the wheel on its side.

Smartphone app - The Begode app can be found in the App Store or Google Play store. It can also be found at www.begode.com/app. You can also use the DarknessBot IOS App or the EUCWorld Android App.

Calibration - The balance position of the pedals can be calibrated using the smartphone app by holding the wheel pedal in a forward/reverse direction horizontally or at the desired angle of inclination. A new unicycle is calibrated and does not normally require calibration. **NOTE:** During calibration, the wheel must be vertical to the lateral directions, otherwise unwanted pedal lift or lowering may occur when turning while riding.

Software update - Begode continuously updates the firmware of its electric unicycles. New software can be downloaded from the official after-sales service (voltride.com) or via the smartphone app. It is advisable to keep the bike software as up-to-date as possible.

Settings - 1. The smartphone app can be used to change the "stiffness" of the pedals when tilting backwards or forwards.

"Soft" means the pedals can be tilted more and the wheel reacts more slowly to the tilt. In the "Hard" position, the wheel reacts more sharply and is intended for steeper driving. "Medium" is the intermediate position.

2. Adjusting tire pressure is one part of the adjustment that most unicyclists do. Depending on the rider's weight, riding style, and the purpose of the ride, the appropriate tire pressure may be between 1.5 and 3.2 atm. The higher the tire pressure, the better the wheel rolls and the greater the range. At the same time, a higher pressure will make the wheel stiffer and bounce more.

3. On wheels with a shock absorber, you can also adjust the shock absorber's gearing, softness and damping.

4. The unicycle is supplied with support pads which can be attached to the sides of the wheel if desired to facilitate acceleration, deceleration and overall control of the wheel.

5. The factory offers a lightweight Hexa pedal and mudguard as optional extras. Alternate manufacturers' support cushions, pedals, body protectors and other accessories can also be fitted.

6. The bike can be fitted with a tire suitable for asphalt riding or off-road riding instead of the original tire. Tire replacement is recommended to be carried out in an official workshop, as it requires dismantling the wheel and is more complicated than replacing a bicycle tire.

Bluetooth speakers can be connected to a smartphone

Alarms - 1. Speed alarms: according to the speed set in the app - 2 or 3 beeps.

2. 80% of peak power - 5 beeps.

3. speed limiting (the wheel pushes up on the front of the pedals and beeps at different frequencies according to the level of battery depletion): up to 14.4km/h - 3 beeps in 2 seconds, up to 7.2km/h - 2 beeps in 2 seconds, below 7.2km/h 2 beeps per second. The rider must not attempt to push the pedal to the horizontal position - this could result in the wheel locking up and falling off.

4. The battery is flat: 5 beeps 1 beep per second. It is not advisable to run the battery down to this lower limit. The risk of both falling and damaging the battery is increased.

5. Controller overheated - 2 short beeps. This is triggered when the temperature has reached 80 degrees. This causes the wheel to push up on the front of the pedals. The rider must react immediately and reduce speed or abort the climb. This can also happen when braking on descent with a fully charged battery.

6. Overvoltage - 3 beeps in 2 seconds. This is a very dangerous alarm - the wheel warns the rider to slow down immediately. Otherwise, the wheel may no longer balance the rider.

7. Sideways wheel spin: 5 beeps. If the wheel does not balance immediately after being lifted, the wheel must be switched off and on again.

The alarms can be changed as required in the smartphone app.

3. How to ride an electric unicycle

1. Learning to ride an electric unicycle takes between 5 minutes and a few days, depending on the person. It's like learning to ride a bike again. It is advisable to take the basic training at the dealer who sold you the unicycle or under the guidance of an experienced rider. By scanning the QR code you will find a video to help you. It is essential that you wear a helmet, arm, knee and elbow protectors and ankle boots during your training and afterwards.

2. ALWAYS ride an electric unicycle with a helmet, arm, elbow and knee protection. We recommend the use of a helmet with chin protection, special protective clothing (motorcycle jacket and trousers) with back protection.

3. Direction signals must be signaled by hand, despite the fact that some unicycles have automatic direction lights. A right turn must be preceded by a right hand pointing with the straight hand, a left turn with the left hand.

Braking - the brake light on the wheel should be illuminated as a braking signal, and the signal may also be given by raising the right hand. While driving, in addition to noticing what is in front of you and what is to your side, you must also be aware of what is behind you. If looking back over your shoulder does not seem safe, you should strap on a helmet or pick up a rear-view mirror.

4. When riding in the dark or in poor visibility, make sure your electric unicycle has working lights and that you are clearly visible to other road users. To ensure better visibility, it is advisable to attach an additional front and rear light to your helmet in addition to the headlight of your electric unicycle and to wear a reflective vest or reflective clothing.

5. Before riding a unicycle, find an opportunity to learn and practice riding in a safe area. If necessary, use the assistance of an instructor. Before riding on public roads, make sure that you can react to unexpected situations by braking suddenly or swerving if necessary.

⚠ WARNING! Braking abruptly or in a bend can cause loss of control, which can lead to serious injuries, serious injury. When driving, always ensure that your road is safe and drive at a speed appropriate to the driving conditions.

Braking distances increase in wet driving conditions.

6. Before riding a unicycle, understand the laws, rules and restrictions that apply to unicyclists. Unless expressly permitted by traffic law, do not ride an electric unicycle on the road. When riding on the pavement (if permitted by traffic law), do not obstruct pedestrians and other light traffic and do not exceed the maximum speed limit.

7. The manufacturer, the importer and the distributor shall not be liable for any accident or its consequences, whatever the cause, including technical failure, during the use of the electric unicycle. An electric unicycle is an electronic device which may have a technical defect, even if it is new or has been directly inspected. It is the responsibility of the user of an electric unicycle to choose a riding style that will limit injuries and damage in the event of unexpected failure.



<https://youtu.be/t6o8ZMlo5ko>

4. Charging

Before charging, turn off the unicycle. Plug the charger first into the wall and then connect it to the unicycles charging port

Charging from 0%-100% takes about 7 hours the standard charger and about half that with two chargers.

It is recommended to charge your unicycle at room temperature.

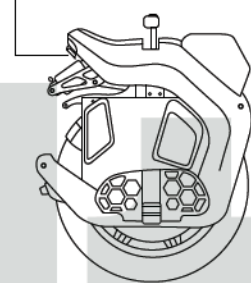
⚠ WARNING!

DO NOT charge the scooter if the charge port or power cord is wet.

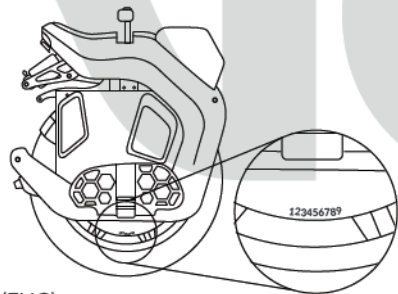
DO NOT charge or use your battery if it is damaged or see trace of water.

After charging always place the charging port cover back over the charging port.

Charging port



5. Serial Number



Begode electric unicycles have a unique serial number. You are going to need this number when there is any problem or question you may have about your unicycle.

The serial number can be found on the rim of the unicycles motor or seen in the app.

Keep the serial number saved for future reference. You will also need the serial number in case you intend to have your scooter insured.

6. Maintenance

Regularly check the condition of the tire and add pressure if necessary. The recommended pressure is between 1.5 and 3.2 bar, but it can be lower depending on the weight of the rider, driving style and tire type. NOTE: Riding with lower pressure can cause a puncture or damage to the rim. DO NOT ride an electric unicycle if the tire is damaged or does not hold air.

Ensure that the unicycles shell and other components remain tightly together, especially after falls or impacts, and that there are no cracks in the casing or between parts of the casing where dust and moisture can damage the wheel. If they occur, the wheel should be serviced immediately and repaired if necessary.

Compared to an electric scooter, an electric unicycle is (with careful use) much more maintenance-free, as there are no components that can become loose, such as the handlebars, the folding mechanism and the brakes. Nonetheless, there are also sensitive areas on the unicycle that require regular inspection and maintenance.

The maintenance intervals required for the warranty to be valid are: 1) 300km since purchase. 2) Every 1000km or at least once a year - regular maintenance. The maintenance is carried out by the official maintenance partner Voltride Service (voltride.com).

Cleaning - Use a damp soft cloth to clean the electric unicycle. Use a brush to clean dirt that is difficult to remove. DO NOT use alcohol or any other solvents to clean the electric single wheel. DO NOT use a pressure washer or water to clean the electric unicycle. Also, do not immerse the electric unicycle in water. The electric unicycle is not waterproof. Water damage will void the warranty.

Storage - Switch off the electric unicycle and disconnect the charger for storage. Ensure that the battery is approximately 50-60% charged. Check the battery charge level at least once every two months. If it has dropped, recharge the battery until it is about 50-60% charged. Store the electric unicycle in a dry room at a temperature of about 15-25°C.

⚠ **WARNING!** As with any mechanical component, the electric unicycle is subject to stress and wear during use. Different materials and components age and wear differently. If the expected service life of a component is exceeded, it may break unexpectedly, causing injury to the user. Cracks, scratches and discoloration indicate that a part under high stress has exceeded its service life and should be replaced. Such latent defects are checked during regular maintenance. At the same time, the user must also watch for such defects and service the wheel if necessary.

7. Specifications

Model	Begode Hero
Top speed*	25 km/h (limited)
Range*	up to 150km
Climbing Ability*	35
Max Load	120kg
Rated Power	2800 W
Motor type	Hollow bore, C38 HT
Tire	20" Pneumatic tire
Required height of user	120 - 200 cm
Required height of user	14+
Nominal Battery Voltage	86.4 V (24S4P)
Nominal Battery Capacity	1800 Wh
Battery Cells	Samsung 50E 21700
Charging Voltage	100.8 VDC
Charging Current	3 A
Charging Time	7 h
Working Temperature	-1 - +40 °C
Product Net Weight	37 kg
Pedal Height (mm)	170 mm
Trolley Handle Height (mm)	1000 mm

*Depends on the rider's weight, riding style, speed, terrain, temperature and wind.

8. Warnings



WARNING

Failure to follow these instructions might lead to serious injury.

DO NOT ride the electric unicycle in the rain or through puddles. Water damage is not covered under warranty and will void the warranty. It is forbidden to wash the electric unicycle with water or other liquids.

DO NOT ride the electric unicycle if it has been damaged in any way.

DO NOT ride the electric unicycle on stairs or over obstacles.

DO NOT store the unicycle in wet conditions or at temperatures below 15°C.

DO NOT modify the electric unicycle or use accessories not approved by the manufacturer.

DO NOT rest your feet on anything other than the pedals when riding.

DO NOT exceed the carrying capacity of the electric unicycle.

DO NOT use a mobile phone when riding a unicycle.

DO NOT touch the motor after riding. It may get hot during the ride.

DO NOT ride the electric unicycle with passengers. An electric unicycle is designed to transport one person.

DO NOT ride an electric unicycle if you are pregnant, have balance problems or other contraindications.

DO NOT ride an electric unicycle if you are under the influence of alcohol, drugs or other potent medications.

DO NOT attach objects to the electric unicycle that may impede steering or balance. The device is not designed for transporting objects.

DO NOT ignore warnings and malfunction messages on the screen, in the app on your smart device, or audio alerts on the electric recliner. In the event of such signals or messages, stop driving and contact a service centre. Riding an improperly serviced electric unicycle may result in an accident or failure of the unicycle and void the warranty.

This equipment is not intended for acrobatic use.

This equipment is not intended for commercial or rental use.

Always obey traffic laws and local requirements when riding a scooter.

WARNING! Failure to follow these instructions may result in serious injury and/or void warranty!

Be familiar with and take into account the overload and other protection functions and warnings programmed into the bike's software:

- Speed and acceleration limit according to rider weight, battery capacity and charge.
- Automatic switch-off if the unicycle's side inclination exceeds 35 degrees.
- Automatic switch-off if the wheel rotates in the air for more than 2 seconds.
- Power short circuit protection
- Battery over-voltage or undervoltage protection

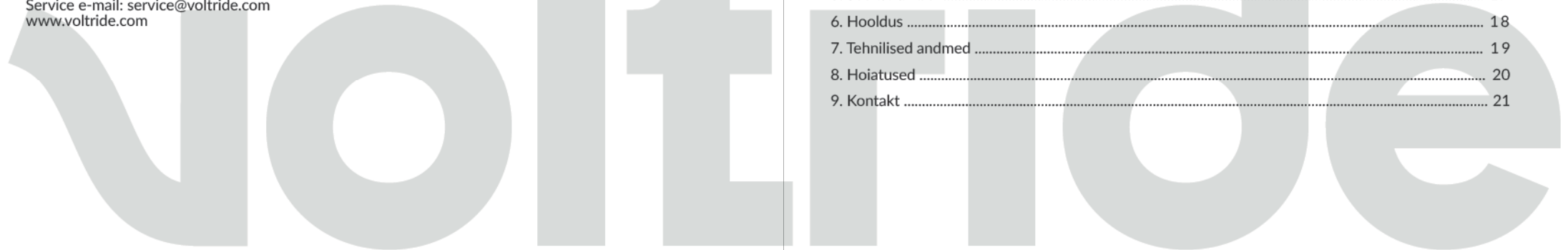
DO NOT rely solely on the above wheel protection measures - you are primarily responsible for your own safety. When the battery charge has dropped to 60%, avoid sudden accelerations and avoid riding at the maximum speed allowed by the wheel at that moment - the performance and safety of an electric unicycle is directly related to the battery charge level, which will decrease significantly as the battery is discharged

9. Contact

Manufacturer: Dong Guan BEGODE Intelligent Technology Co., Ltd

Distributor: Fortunati Distribution OÜ
Telliskivi 57D, 10412 Tallinn
Tel: +372 56 808 138
www.fortunati.eu

Warranty and official service support is provided by Voltride Service
Service Tel: +372 600 40 99 valik #2
Service e-mail: service@voltride.com
www.voltride.com

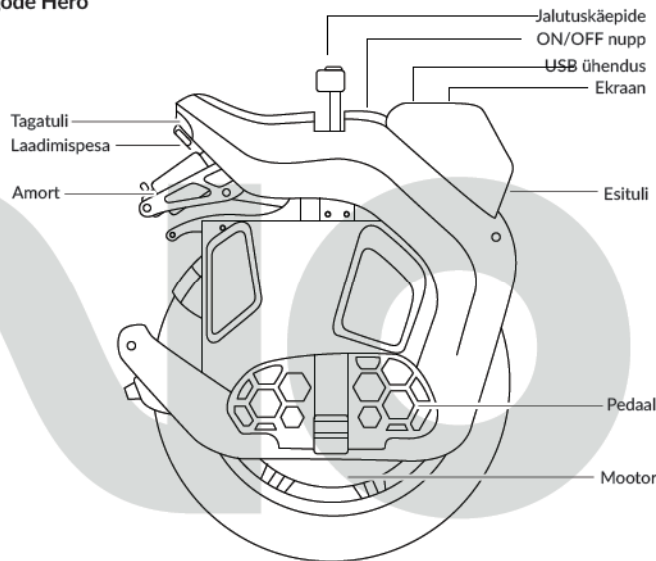


Sisukord (EST)

1. Pakendi sisu ja toote joonis.....	13
2. Seaded ja alarmid	14
3. Kuidas sõita elektrilise üherattalisega	16
4. Laadimine	17
5. Seerianumber	17
6. Hooldus	18
7. Tehnilised andmed	19
8. Hoiatused	20
9. Kontakt	21

1. Pakendi sisu ja toote joonis

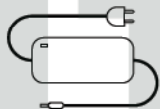
Begode Hero



Kasutusjuhend*



Laadija



Papist pakend on taaskasutatav.

Selle utiliseerimisel järgige kohalikke eeskirju.

Päästke puud - 1 tonni papi tootmiseks on vaja 17 puud.

Kontrollige, kas kõik ülal kujutatud esemed on pakendis olemas. Kui midagi on puudu, pöörduge toote müüja poole.

*Teatud juhtudel saadetakse kasutusjuhend ka digitaalsel kujul.

2. Seaded ja alarmid

ON/OFF nupp - Elektrilist üksratast saab sisse ja välja lülitada ON/OFF nupust. Sisse lülitades hoidke ratas püstiasendis.

⚠ HOIATUS! Ratast ette- või tahapoole kallutades hakkab ratas vastavalt ette või tahapoole liikuma, säilitades pedaalide horisontaalasendit. Külgsuundades ratas ise tasakaalu ei hoia.

Transpordirežiim - Uus ratas on pakendis transpordirežiimis. Sõidurežiimi aktiveerimiseks lülitage ratas ON/OFF nupust sisse. Hoidke all mootori katkestusnuppu ja vajutage ON/OFF nuppu 5 korda. Seejärel lülitage ratas välja ning uuesti sisse. Nüüd on ratas sõiduasendis (tasakaalustub). Samal viisil saab ratta hiljem ka tagasi transpordirežiimi panna.

Mootori väljalülitamine - Mootori katkestuse nupust saab mootori välja lülitada näiteks ratta tõstmise hetkeks. Üherattalisel on kaldenurgast lähtuv automaatne ratta väljalülitamine kui ratas on küljele kaldu enam kui 35 kraadi. See on mõeldud ratta külili parkimise lihtsustamiseks.

Nutitelefoni rakendus - Begode rakendus on leitav App Store või Google Play poes. Samuti aadressil www.begode.com/app. Võib kasutada ka DarknessBot IOS-i App-i või EUCWorld Android-i App-i.

Kalibreerimine - Pedaalide tasakaaluasendit saab kalibreerida nutitelefoni rakenduse abil hoides ratta pedale ette-taha suunal horisontaalselt või soovitud kaldenurga all. Uus ratas on kalibreeritud ning ei vaja reeglina kalibreerimist. NB! Kalibreerimise ajal peab ratas külgsuundade suhtes olema vertikaalselt, muidu võib sõites pööramisel tekkida soovimatu pedaalide tõste või langetus.

Tarkvarauuendus - Gotway uuendab pidevalt elektriliste üksrataste tarkvara (firmware). Uue tarkvara saab alla laadida ametlikus järelteeninduses (voltride.com) või nutitelefoni rakenduse kaudu. On soovitatav hoida ratta tarkvara võimalikult värskena.

Seaded - 1. Nutitelefoni rakenduse abil saab muuta pedaalide „jäikust“ ette taha kallutamisel. „Soft“ tähendab et pedaale saab rohkem kallutada ja ratas reageerib kallutusele aeglasemalt. „Hard“ asendis reageerib ratas järsumalt ja see on mõeldud järsuma sõidustiili puhul. „Medium“ on vahepealne asend.

2. Rehvirõhu reguleerimine on üks osa seadistamisest, mida enamik üksrattaga sõitjaid teeb. Sõltuvalt sõitja kaalust, sõidustiilist, sõidu eesmärgist võib sobiv rehvirõhk olla 1.5-3.2Atm. Mida suurem on rehvirõhk, seda paremini ratas veereb ja seda suurem on sõiduulatus. Samas muudab suurem rõhk ratta jäigemaks ning pörutab rohkem.

3. Amordiga ratastel saab reguleerida ka amordi käiku, pehmust ning sumbuust.

4. Rattale võib paigaldada originaalrehvi asemel asfaldisõidu sobivamat rehvi või maastikusõidu sobiva rehvi. Rehvivahetus on soovitatav teha ametlikus töökojas, kuna see eeldab rattakorpusel lahti võtmist ning on keerukam kui jalgratta rehvi vahetus Bluetooth kõlarid saab ühendada nutitelefoni

Alarimid - 1. Kiirusealarimid: vastavalt app-is määratud kiirusele – 2 või 3 piiksu

2. 80% tippvõimsusest – 5 piiksu

3. Pingelang (aku tühjeneb) – kiiruse piiramine (ratas surub pedaalide eesosa üles ja kostuvad erineva sagedusega piiksed vastavalt aku tühjenemise tasemele): kuni 14.4km/h - 3 piiksu 2 sekundi jooksul, kuni 7.2km/h – 2 piiksu 2 sekundi jooksul, alla 7.2km/h 2 piiksu sekundis. Sõitja ei tohi proovida pedaalid horisontaalasendisse suruda – see võib lõppeda ratta väljalülitumise ja kukumisega.

4. Aku on tühi: 5 piiksu 1 piik sekundis. Selle alarmini ei ole soovitatav akut tühjaks sõita. Suureneb nii kukumise kui aku rikkumise risk.

5. Kontrollid on üle kuumenenud – 2 lühikest piiksu. See rakendub kui temperatuur on tõusnud 80 kraadini. Sellega kaasnevalt surub ratas pedaalide eesosa üles. Sõitja peab kohe reageerima ja kiirust vähendama või tõusust ülesmineku katkestama. Samuti võib see juhtuda täiesti täis akuga laskumisel pidurdades.

6. Ülepinge – 3 piiksu 2 sekundi jooksul. See on väga ohtlik alarm – ratas hoiatab, et sõitja võtaks koheselt kiirust alla. Muidu ei pruugi ratas enam sõitjat tasakaalustada.

7. Ratta külili kukumine: 5 piiksu. Kui ratas ei tasakaalustu koheselt pärast püsti tõstmist, on vaja ratas korra välja ja sisse lülitada.

Alarime saab vastavalt soovile nutitelefoni rakenduses muuta

3. Kuidas sõita elektrilise üherattaliga

1. Elektrilise üksrattaga sõitma õppimine võtab aega sõltuvalt inimesest 5 minutit kuni paar päeva. See on nagu jalgrattaga uuesti sõitma õppimine. On soovitatav läbida baasväljaõpe rattamüünud edasimüüja juures või mõne kogunud sõitja juhendamisel. QR koodi skaneerides leiab inglisekeelse abistava video. Õppimise ajal ja ka edaspidi tuleb kindlasti kanda kiivrit, käe-, põlve- ja küünarnukikaitseid ning pahklukaitseid.

2. Sõitke elektrilise üksrattaga ALATI kiivriga, käe, küünarnuki ja põlvekaitsetega. Soovitame kasutada lüüakaitsega kiivrit, spetsiaalset kaitseriietust (motojope ja püksid), millel on ka seljakaitse.

3. Suunamärguandeid tuleb signaaliseerida käega, hoolimata sellest et osadel üksrattastel on automaatsed suunatud. Parempöördele peab eelnema sirge käega paremale näitamine, vasakule vasaku käega. Pidurdusmärguandeks süttib rattal pidurituli, lisaks võib signaaliseerida ka tõstes parema käe üles. Sõidu ajal peab lisaks ees ja kõrval toimuva märkamisele kursis olema ka selja taga toimuvaga. Kui üle öla tagasi vaatamine ei tundu turvaline, siis tuleb kinnitada kiivri või võtta kätte tahavaatepeegel.

4. Pimedas või halva nähtavusega sõites veenduge, et teie elektrilisel üksrattal on töökorras tuled ja olete teistele liiklejatele hästi märgatav. Parema nähtavuse tagamiseks on soovitatav lisaks elektrilise üksratta esitulele kinnitada kiivri täiendav esi- ja tagatuli ja kanda helkurvesti või helkuriga riideid.

5. Enne üksrattaga liikluses osalemist, leidke võimalus sõidu õppimiseks ja harjutamiseks turvalisel alal. Vajadusel kasutage instruktori abi. Enne avalikele teedele minekut veenduge, et suudate reageerida ootamatutes olukordades, vajadusel äkkpidurdades või kõrvale põigates.

⚠ HOIATUS! Järsult või kurvis pidurdades võib masin kaotada juhitavuse, mis võib põhjustada tõsiseid vigastusi. Veenduge sõites allati, et teie tee on ohutu ning sõitke sõiduoludele vastaval kiirusel. Pidurdusteekond pikeneb märgades sõiduoludes.

6. Enne üksrattaga liikluses osalemist tehke endale selgeks üksrattaga liiklejale kehtivad seadused, reeglid ja piirangud. Kui see pole liiklusseaduses sõnaselgelt lubatud, ärge sõitke elektrilise üksrattaga autoteel. Kõnniteel sõites (kui see on liiklusseaduses lubatud) ärge häirige jalakäijaid ja teisi kergliiklejaid ning ärge ületage maksimaalselt lubatud sõidukiirust.

7. Tootja, maaletooja ja edasimüüja ei vastuta elektrilise üksratta kasutamise käigus õnnetuste ja nende tagajärgede eest ükskõik, mis põhjusel need on juhtunud, kaasa arvatud tehniline rike. Elektriline üksratt on elektrooniline seade, millel võib esineda tehniline rike isegi juhul kui see on uus või vahetult kontrollitud. Elektrilise üksratta kasutaja on kohustatud valima sõiduviisi, mis ootamatu rikke korral võimaldaks limiteerida vigastusi ja kahjusid.



<https://youtu.be/t6o8ZMlo5ko>

4. Laadimine

Lülitage elektriline üksratas enne laadimist välja. Ühendage laadija kõigepealt vooluvõrku ja alles seejärel elektrilise üksratta külge.

Elektrilise üksratta aku nullist saja protsendini laadimine võtab standardlaadijaga umbes 7 tundi. Kahe laadijaga võtab see poole vähem.

Elektrilist üksratat on soovitatav laadida toatemperatuuril.

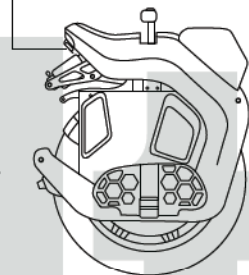
⚠ HOIATUS!

ÄRGE laadige elektrilist üksratat, kui ratas, selle laadimispesa või laadija on märg.

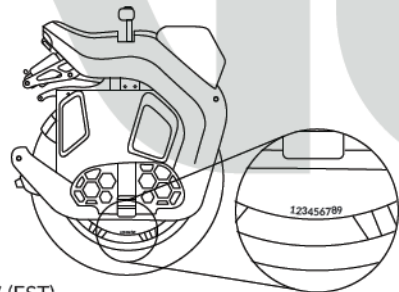
ÄRGE laadige elektrilist üksratat, kui selle aku on saanud kahjustada või on puutunud kokku veega.

Pärast laadimist pange alati laadimispesa kork tagasi laadimispesa peale.

Laadimispesa



5. Seerianumber



Begode elektrilistel üksratastel on ainulaadne seerianumber.

Seerianumber on vajalik teie üksratta identifitseerimiseks, juhul kui sellega tekib probleeme või küsimusi.

Seerianumber on nähtav nutitelefoni rakenduses ning mootori peal. Kirjutage seerianumber üles ning hoidke see edaspidiseks alles.

Seerianumbrit on vaja ka juhul, kui kavatsete oma elektrilise üksratta kindlustada.

6. Hooldus

Kontrollige regulaarselt rehvi seisukorda ja vajadusel lisage rõhku. Soovituslik rõhk on 1.5-3.2 bar, sõltuvalt sõitja kaalust, sõidustiilist ja rehvi tüübist võib rõhk olla ka madalam. NB! Madalama rõhuga sõites on oht lõhkuda rehvi või kahjustada ratta velge. ÄRGE sõitke elektrilise üksrattaga, kui rehvi on kahjustatud või ei hoia õhku.

Jälgige, et ratta korpus ja peamised osad püsiks tihedalt koos, eriti pärast kukkumisi või lööke ja et ei tekiks korpuse või korpuse detailide vahele pragusid, kust tolm ja niiskus pääseb rattale kahju tegema. Kui neid tekib, tuleks rattast kohe hooldada ja vajadusel remontida.

Võrreldes elektrilise tõukerattaga, on elektriline üksratas (hoolika kasutamise korral) märksa hooldusvabam, kuna puuduvad mitmed kuluvad ja loksuma hakkavad osad nagu juhtraud ja voltimismehhanism, ning pidurid. Sellest hoolimata on ka üksrattal tundlikke kohti, mis vajavad regulaarset ülevaatamist ja hooldust.

Garantii kehtimiseks vajalikud hooldusvälbad on: 1) läbisõit 300km pärast ostu. 2) Iga 1000km järel või minimaalselt 1 kord aastas – regulaarne hooldus. Hooldust teostab ametlik hoolduspartner Voltride Service (voltride.com).

Puhastamine – elektrilise üksratta puhastamiseks kasutage niisket pehmet lappi. Raskesti eemalduva mustuse puhastamiseks kasutage harja. ÄRGE kasutage elektrilise üksratta puhastamiseks alkoholi ega muid lahusteid. ÄRGE puhastage elektrilise üksrattast survepesuri või veega. Samuti ärge kastke elektrilise üksrattast vette. Elektrilise üksrattast pole veekindel. Veekahju välistab garantii kehtivuse.

Hoiustamine - lülitage elektriline üksratas välja ja ühendage laadija ladustamise ajaks lahti. Veenduge, et aku on umbes 50–60% laetud. Kontrollige vähemalt kord kahe kuu jooksul aku laetuse taset. Kui see on langenud, laadige akut, kuni see on laetud umbes 50–60%. Hoidke elektrilise üksrattast kuivas ruumis temperatuuril umbes 15–25 °C.

⚠ HOIATUS! Nagu iga mehaanilise komponendi puhul, on avaldab ka elektrilisele üksrattale mõju kasutuse käigus tekkiv pingeline ja kulumine. Erinevad materjalid ja komponendid vananevad ja kuluvad erinevalt. Kui detaili eeldatav kasutusiga on ületatud, võib see ootamatult puruneda, põhjustades kasutajale vigastusi. Praod, kriimustused ja värvimuutused näitavad, et suure pingele all olev osa on ületanud oma tööea ning tuleks asendada. Sellised varjatud vead vaadatakse üle regulaarse hoolduse käigus. Samas peab ka kasutaja jälgima selliste defektide teket ning vajadusel rattast hooldama.

7. Tehnilised andmed

Mudel	Begode Hero
Tippkiirus*	25 km/h (piiratud)
Sõiduulatus*	kuni 150km
Suurim võimalik tõus*	35
Maksimaalne kandevõime	120kg
Mootori nimivõimsus	2800 W
Mootori tüüp	Võllita, C38 HT
Rehvid	20" õhkrehv
Lubatud kasutaja pikkus	120 - 200 cm
Kasutaja minimaalne vanus	14+
Aku nominaalpinge	86.4 V (24S4P)
Aku nominaalmahutavus	1800 Wh
Aku elemendid	Samsung 50E 21700
Laadimispinge	100.8 VDC
Laadimise voolutugevus	3 A
Laadimisaeg	7 h
Töötemperatuur	-1 - +40 °C
Toote netokaal	37 kg
Pedaalide kõrgus maast (mm)	170 mm
Jalutuskäepideme kõrgus (mm)	1000 mm

*Sõltub sõitja kaalust, teoludest, sõidukiirusest, temperatuurist ja tuulesuunast.

8. Hoiatused



HOIATUS

Nende juhiste eiramine võib põhjustada tõsiseid vigastusi.

ÄRGE sõitke elektrilise üksrattaga vihma või läbi lompide. Vedelikkahjustused ei lähe garantiliste vigade alla ning lõpetavad garantii kehtivuse. Elektrilist üksrattast on keelatud vee või muude vedelikega pesta.

ÄRGE sõitke elektrilise üksrattaga, kui seade on saanud mingil moel kahjustada.

ÄRGE sõitke elektrilise üksrattaga mööda treppe ega hüpake üle takistuste.

ÄRGE hoiustage üksrattast märgades tingimustes ega temperatuuril, mis on madalam kui 15°C.

ÄRGE modifitseerige elektrilise üksrattast või kasuta lisasid, mis pole tootja poolt heaks kiidetud.

ÄRGE toetage sõites jalgadega mujale kui pedaalide peale.

ÄRGE ületage elektrilise üksratta kandevõimet.

ÄRGE kasutage üksrattaga sõites telefoni.

ÄRGE katsuge pärast sõitmist ei mootorit. See võib sõidu jooksul kuumaks minna.

ÄRGE sõitke ühe elektrilise üksrattaga mitmekesi korraga. Elektriline üksrattas on mõeldud ühe inimese transpordiks.

ÄRGE sõitke elektrilise üksrattaga, kui olete rase, teil on tasakaaluhäired või muud vastu- näidustused.

ÄRGE sõitke elektrilise üksrattaga, kui olete alkoholi, narkootikumide või muu tugevamõjuliste rohtude mõju all.

ÄRGE kinnitage elektrilise üksratta külge esemeid, mis võivad takistada juhtimist või tasakaalu säilitamist. Seade ei ole mõeldud esemete transpordiks.

ÄRGE ignoreerige elektrilise üksratta hoiatusi ja rikketeateid ekraanil, nutiseadme rakenduses või audio hoiatussignaale.

Vastavate signaalide või teadete esinedes katkestage sõit ja pöörduge hooldusse. Mitte korras elektrilise üksrattaga sõit või põhjustada õnnetusi või ratta katkimineku ning garantii katkemise.

See seade ei ole mõeldud akrobaatiliseks kasutuseks.

See seade ei ole mõeldud kommerts- ega rendikasutuseks.

Jälgige tõukerattaga sõites alati liiklusreegleid ja kohalikke nõudeid.

⚠ HOIATUS! Eeltoodud juhiste eiramine võib põhjustada tõsiseid vigastusi ja / või garantii katkemist!

Olge kursis ja arvestage ratta tarkvarasse programmeeritud ülekoormus- ja muude kaitsefunktsioonide ja hoiatustega:

- Kiiruse ja kiirendusepiirang vastavalt sõitja kaalule, aku mahutavusele ja laetusele.

- Automaatne väljalülitamine kui üksratta külgekalle ületab 35 kraadi

- Automaatne väljalülitamine kui ratas pöörleb õhus üle 2 sekundi

- Toite lühiühenduse kaitse

- Aku ülepinge või alapinge kaitse

ÄRGE lootke vaid eeltoodud ratta kaitsemeetmetele - oma turvalisuse eest vastutate eelkõige ise. Kui aku laetus on langenud 60% peale, vältige järske kiirendusi ning sõitmist ratta poolt antud hetkel lubatud maksimumkiirusel - elektrilise üksratta võimekus ja turvalisus on otseselt seotud aku laetuse tasemega ning see väheneb oluliselt aku tühjenedes.

9. Kontakt

Tootja: Dong Guan BEGODE Intelligent Technology Co., Ltd

Maaletooja: Fortunati Distribution OÜ

Telliskivi 57D, 10412 Tallinn

Tel: +372 56 808 138

www.fortunati.eu

Garantiitöid ja ametlikku järelteenindust teostab Voltride Service

Hoolduse Tel: +372 600 40 99 valik #2

Hoolduse e-mail: remont@voltride.com

www.voltride.com

Voltride