

stigo STIGO SCOOTER USER MANUAL





TABLE OF CONTENTS

1. BOX CONTENTS	4
2. DISCLAIMER, COPYRIGHT NOTICE AND TRADEMARKS	4
3. STANDARDS	4
4. BEFORE YOU BEGIN	5
5. OPENING THE BOX.....	5
6. MIRROR ASSEMBLY (NOT APPLICABLE TO ALL MODELS).....	6
7. STIGO SCOOTER DETAILS	7
8. STIGO SCOOTER DISPLAY DETAILS.....	8
9. HOW TO UNFOLD version 1	9
HOW TO UNFOLD version 2	10
10. HOW TO FOLD	12
11. STARTING A STIGO	13
12. CHARGING A STIGO	15
13. PRE-RIDE INSTRUCTIONS	17
14. IMPORTANT COMPONENTS.....	18
14.1. BRAKES	18
14.2. KICKSTAND.....	18
14.3. CHARGER.....	19
14.4. FRAME AND FRAME NUMBER	20
14.5. BATTERIES	20
14.6. TYRES	21
15. SAFETY AND WARNINGS - MODIFICATIONS AND RIDING IN ICY/WET CONDITIONS.....	21
16. WARRANTY	24
17. SERVICE	25

Need help?

For replacement parts, product support and a list of authorised service centres, visit our website at www.stigobike.com

1. BOX CONTENTS

- Stigo scooter
- Charger
- Electronic key
- Mirror and Allen wrench for mounting (optional)
- Manual



2. DISCLAIMER, COPYRIGHT NOTICE AND TRADEMARKS

The performance, information and specifications of the Stigo and other products manufactured by or sold under the license of Stigo Ltd and featured in this document may change without notice. It is the responsibility of the user to determine the appropriate and safe selection of settings and conditions of use of the products and to periodically check the products to ensure secure and proper operation. To the extent permitted by law, any liability that may be incurred as a result of the use of a product manufactured by or sold under a license granted by Stigo Ltd is limited to the cost of repairing or replacing the failed product or component at the discretion of Stigo Ltd and does not extend to any loss or damage which may be caused as a consequence of misuse or failure of the products. Damage to the product, other property or any persons are the responsibility of the user of the Stigo product. By using a Stigo product manufactured by or sold under a license granted by Stigo Ltd, you state that you have read this disclaimer and agree to hold Stigo Ltd, its owner's and any of its employees or directors free from all liabilities, and that you agree to use and operate the product at your own risk.

© Copyright Stigo Ltd. All rights reserved.

Stigo and Stigobike are registered trademarks of Stigo Ltd. The trademarks and logo of Stigo can-not be used without the express written approval of Stigo Ltd.

3. STANDARDS

The Stigo is an L1e category electric powered moped/scooter developed in accordance with the following EU directives:
2002/24/EC
2013/60/EC

4. BEFORE YOU BEGIN

Please read and understand this manual prior to using your Stigo for the first time. There are many cautions and warnings, which, if ignored, may increase the risk of damaging the Stigo, cause injuries or invalidate the warranty.

This manual was written to help you achieve optimal performance, comfort, enjoyment and safety when riding your Stigo scooter. The manual describes specific care and maintenance procedures that help protect your warranty and ensure years of trouble-free use. It is important for you to understand your new Stigo scooter, its features and its operation, so you achieve maximum enjoyment with maximum safety. By reading this manual before riding your Stigo scooter for the first time, you'll know how to get the most from your Stigo. It is also important that your first ride on a Stigo scooter is taken in a controlled environment, away from cars and obstacles.

Riding a Stigo or any other electric vehicle involves the risk of damage to the Stigo, injury or death, particularly if use of the vehicle takes place in busy urban environments with lots of traffic. Please understand these risks and carefully read the manual to help prevent them. Please do not attempt to use the Stigo beyond the limits of your ability or those of the product itself.

5. OPENING THE BOX

Remove the contents from the box. Remove any separators that protect the components from damage during shipping. Inspect the contents of the box for scratches in the paint, etc. that may have occurred during shipping. Because the Stigo was 99% assembled and packed at the factory (besides the mirror), there should not be any problems, even if the box has a few scratches or dents.

The only assembly required by you is the mounting of the mirror. This should not take more than a few minutes. If you do not feel confident to mount the mirror yourself, please seek assistance from a service specialist.

6. MIRROR ASSEMBLY (NOT APPLICABLE TO ALL MODELS)

Required tool for mirror mounting
(included in the contents): 5 mm Allen wrench.



1

Find the hole on the left or right side of the handlebar.



2

Insert the mirror on the handlebar in a folded position.

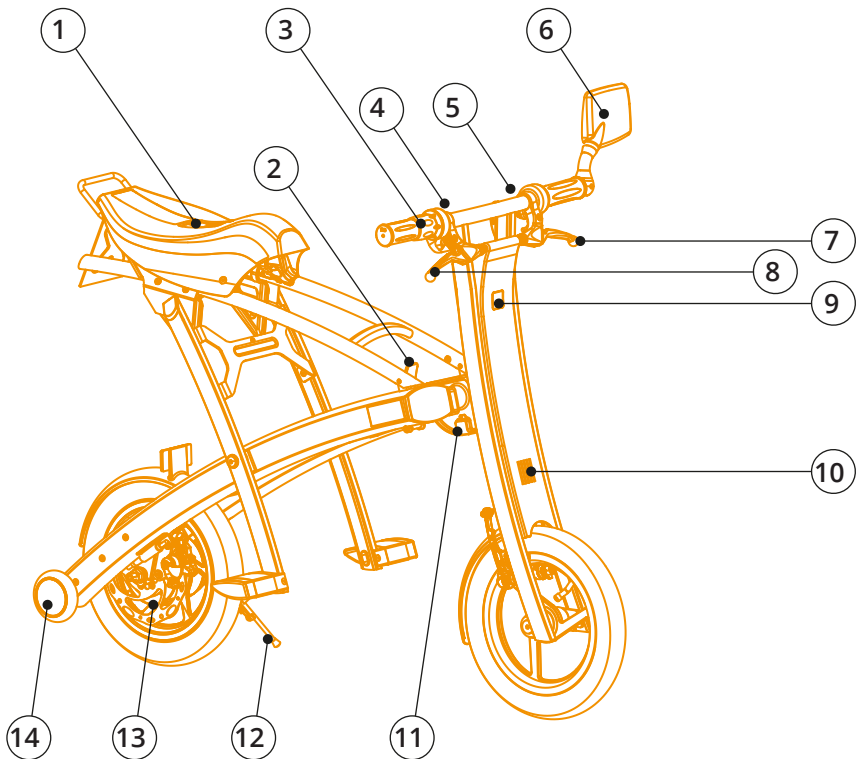


3

Fasten all nuts with the Allen wrench until the mirror is firmly fixed to the handlebar.

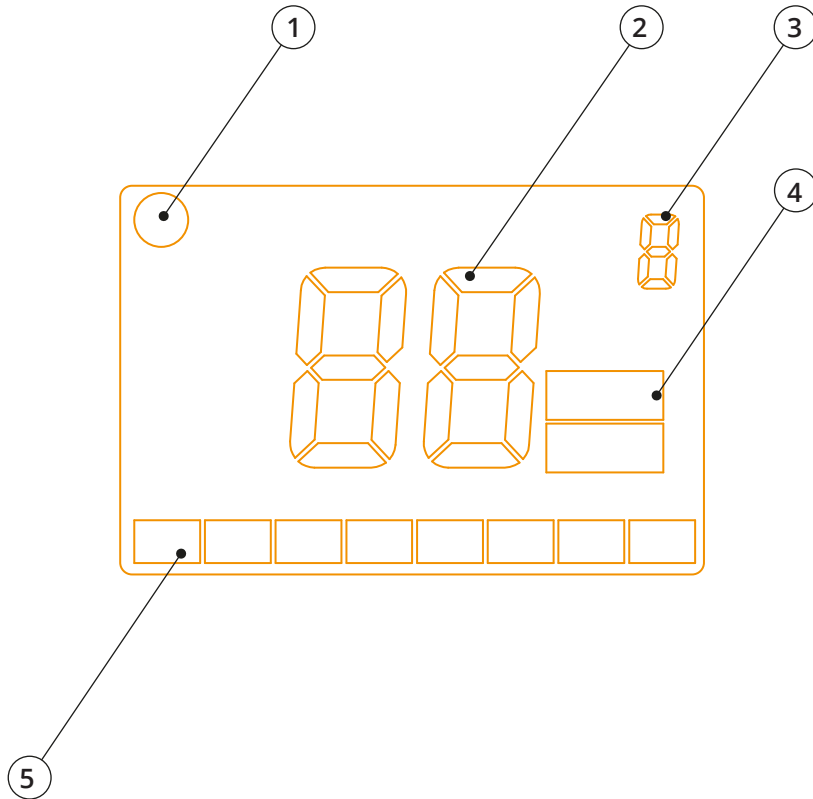


7. STIGO SCOOTER DETAILS



- | | | | |
|---|-----------------------------|---|----------------------------------|
| ① | Back opening/closing lever | ⑧ | Front brake |
| ② | Front opening/closing lever | ⑨ | Light |
| ③ | Accelerator | ⑩ | Horn |
| ④ | ON/OFF switch | ⑪ | Frame number.
Starts with V6G |
| ⑤ | Horn switch | ⑫ | Kickstand |
| ⑥ | Mirror | ⑬ | Motor |
| ⑦ | Rear brake | ⑭ | Transportation wheels |

8. STIGO SCOOTER DISPLAY DETAILS



- ① ON/OFF and charging indicator
- ② Speed
- ③ Error code
- ④ Speed unit
- ⑤ Battery level

9. HOW TO UNFOLD version 1

1 Hold the Stigo in an upright position.



2 Lower the Stigo to get a clear view of the front opening lever in front of the Stigo.



3 Push down the front opening lever with your thumb.



4 Tilt the Stigo and bring the handlebar upwards until you hear the CLICK, which locks the mechanism.



5

Place your right hand on the handle behind the seat.



6

Pull the handle briskly until you hear the CLICK, which locks the mechanism.



HOW TO UNFOLD version 2

1

Hold the Stigo in an upright position.



2

Lower the Stigo to get a clear view of the front opening lever in front of the Stigo.



3

Push down the front opening lever with your thumb.



4

Tilt the Stigo and bring the handlebar upwards until you hear the CLICK, which locks the mechanism.



5

Place your foot on the footrest.



6

Push down the footrest until you hear the CLICK, which locks the mechanism.



10. HOW TO FOLD

1

Place your hand on the back opening lever.



2

Pull up the back opening lever and push down the seat.



3

Push down the seat until you hear the CLICK, which locks the mechanism.



4

Grip tightly on the carrying handle and place your thumb on the front opening lever to push the lever down.



5

Bring the fork close to the frame until you hear the CLICK, which locks the mechanism.



11. STARTING A STIGO

The Stigo scooter is twist grip throttle operated. To move forward, twist the throttle (located on the right handle) backwards, towards you. You control the throttle by twisting it from its resting position. The more you twist, the faster the vehicle will go. The further the throttle is from its resting position, the more power is delivered to the motor to accelerate. To slow down, simply rotate the throttle towards its resting position.

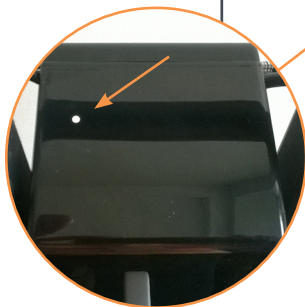
1

To turn on the Stigo scooter, hold down the ON/OFF button for 2 seconds.



2

A small white dot will light up on the display to indicate that the bike is operational.



3

Next, you need to touch the white circle area at the back of front fork with the key chip. The display lights will then light up.



To turn off the Stigo scooter after use, press and hold down the ON/OFF button for 2 seconds until the display switches off.

4

Always keep the key chip with you in order to prevent others from using your Stigo.



12. CHARGING A STIGO

1

Plug the charger into a 100-240 V wall socket. It takes approximately 3.5 hours to fully charge the battery.

2

Remove the rubber cover of the charging plug on the Stigo scooter.



3

Plug the charger into the Stigo scooter.



4

Observe the red light on the charger, which indicates the charging.



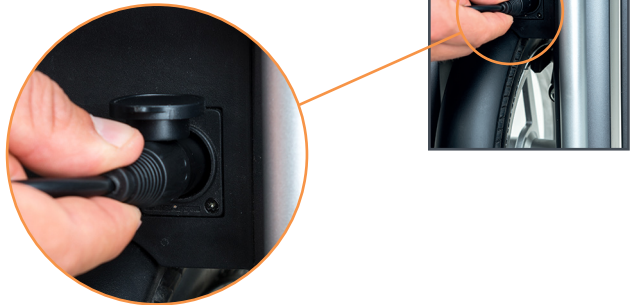
5

The green light on the charger lights when the batteries of the Stigo scooter are full.



6

Remove the charger.



If the Stigo is switched ON, the dashboard display will show the battery charging level during use. While riding, the battery charging level decreases and fewer battery level indicator LEDs are displayed. There are 8 LEDs altogether and the low battery indicator is represented by one flashing LED.

13. PRE-RIDE INSTRUCTIONS

Check and maintain your Stigo scooter:

Check that the brakes are functioning properly and that the tyres are inflated properly and have sufficient tread depth. The Stigo should be maintained and repaired in accordance with the manufacturer's specifications, using only the manufacturer's authorised replacement parts, and should not be modified from the manufacturer's original design and configuration.

Make safety your first priority by ensuring that your Stigo scooter is in good working order. Visual and mechanical checks will be outlined and should always be performed prior to operating. If damaged or worn parts are found during your inspection, do not operate your Stigo scooter until the problem has been addressed.

— Brakes:

Pull the brake levers individually while pushing the Stigo scooter to see if it rolls. You should be able to lock-up the wheels completely by applying the brakes.

— Throttle:

With the ON/OFF switch in the OFF position, fully twist the throttle and release to verify that the throttle is smooth and returns correctly.

— Tyres:

Check both tyres for condition and tread depth. Check the tyre pressure frequently. Maintain correct tyre pressure as indicated on the tyres.

— Lights:

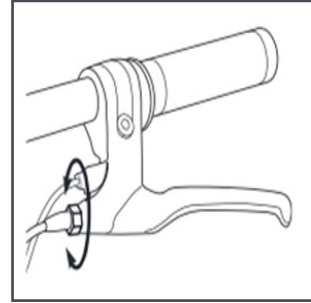
See if the lights in the front and rear are operating properly. Press the brakes to see if the brake light is working.

Please do not use the Stigo if you believe that it is not functioning properly or it might be damaged in any way.

14. IMPORTANT COMPONENTS

14.1. BRAKES

To adjust the brake cable length, thread the brake lever adjuster by turning it in or out until the desired brake adjustment is attained (as seen on the picture on the right). Most adjustments are complete at this step. If the brake requires further adjustment, visit a qualified service specialist to do so.



Your Stigo scooter is equipped with a disc brake for maximum reliability and efficiency. Applying hand pressure to the brake lever will cause the wheel brake to cause friction against the brake disc, slowing the wheel. The more pressure applied, the faster it will come to a stop. Once you have eased off the throttle, pull the brake lever towards you to slow down and stop. The brake is capable of skidding the wheels and throwing an unsuspecting rider. Practice in an open area free from obstacles until you are familiar with the brake functions. Avoid skidding to a stop, as this can cause you to lose control and/or damage the tyres.

In the event that an emergency stop is required, apply the brakes appropriately in a safe and controlled way until you have brought the Stigo to a complete stop. Do not release the brakes until it is safe to do so.

14.2. KICKSTAND

Use of kickstand - press it with your foot until down; then support the bike and make sure it stands upright safely. Once you lift the Stigo scooter to a vertical position, the kickstand will automatically fold. Please note that it is a safety feature!

The kickstand might not prevent the Stigo electric scooter from falling. It depends on your weight and other circumstances, such as the surface on which the Stigo is positioned. The kickstand is not designed to be used while someone is sitting on the Stigo electric scooter. Please be aware that even with the kickstand applied the Stigo scooter can fall over and get damaged or cause injuries.

14.3. CHARGER

Read all safety warnings and all instructions. Failure to adhere to the warnings and instructions may result in electric shock, fire and/or serious injury. Save all safety warnings and instructions for future reference. Keep the charger away from dampness or moisture. The penetration of water into a battery charger increases the risk of electric shock. Only charge your Stigo scooter using the original charger. The battery pack voltage must match the battery pack charging voltage of the charger. Otherwise, there is a danger of fire and explosion. Keep the battery charger clean. Contamination can lead to the danger of an electric shock. Before each use, check the battery charger, cable and plug. If damage is detected, do not use the battery charger.

Never open the battery charger yourself. Have repairs performed only by a qualified technician using original spare parts. Damaged battery chargers, cables and plugs increase the risk of an electric shock. Do not operate the battery charger on easily inflammable surfaces (e. -g., paper, textiles, etc.) or surroundings. The heating of the battery charger during the charging process can pose a fire hazard. Vapours can escape in the case of damage and improper use of the battery pack. Ventilate and seek medical attention in the event of complaints. The vapours can irritate the respiratory system. Supervise children at all times to ensure that they do not play with the charger. Children or persons that, owing to their physical, sensory or mental limitations or their lack of experience or knowledge, are not capable of securely operating the charger may only use this charger under supervision or after having been instructed by a responsible person. Otherwise, there is danger of errors and injuries when operating.

Plug the charger into a standard 100-240 V wall outlet. Check to ensure that the LED light on the charger lights up. The LED light on the charger will turn from red to green once the Stigo is fully charged. Unplug the charger from the outlet and do so promptly after the charge is complete.

After long-term use, your battery's charge holding capacity will decrease. However, if your battery does not hold sufficient charge even for a short trip, contact your Stigo dealer or reseller to order a replacement. The charger supplied with your Stigo scooter should be regularly examined for damage to the cord, plug and other parts. In the event of damage, do not use the charger until the charger has been repaired or replaced. If the charger emits unusual sounds or odours, stop using it immediately and contact our customer service.

Observe the mains voltage! The voltage of the power supply must correspond with the data given on the nameplate of the battery charger.

14.4. FRAME AND FRAME NUMBER

There is a unique frame number (identifier) on each Stigo. One is on the headset and one on the frame. The frame number is required when you need to make a warranty claim.

The Stigo frame is made of 6061 aluminium. It is covered with several layers of bicycle paint and varnish. Some of the main joints are anodised.

Abusive or unusual use can accelerate the wear and tear of components (off-road, jumping, stunt riding, skidding, etc.). As a result the sudden and/or premature failure of some components may occur without warning and there may be a risk of injury. If the Stigo has been damaged (besides light cosmetic scratches), dented, bent, cracked or damaged in any other way, do not use the Stigo until it has been checked by an authorised service centre.

14.5. BATTERIES

The Stigo uses one or two lithium-ion batteries, depending on the model you have. Read the information about the battery for safe usage.

It is not permitted to use the batteries supplied with the Stigo in any other product. They have been designed for the use of the Stigo only. Do not remove the battery from the Stigo. Only approved services should remove the batteries, if needed. It is also not permitted to dis-assemble or modify the batteries.

The batteries must not be exposed to high temperatures or fire. Do not short circuit or modify the batteries in any way. Moisture can damage the batteries and cause corrosion or overheating, igniting or leaking. Do not expose the Stigo batteries to moisture or water.

Do not try to use any other charger with the Stigo other than the original charger. Other chargers may cause damage or injury through fire or electric shock.

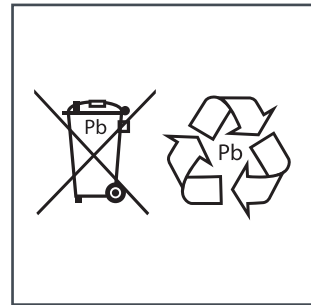
Keep an eye on the batteries and charger whilst charging.

The Stigo uses lithium-ion batteries, which do not last forever, and they will deteriorate over time. The batteries begin to degrade from the point of manufacture. This is due to a chemical reaction and gradually it causes the internal impedance of the cells to increase. The new battery always performs better than the old one.

Please ensure that you have charged the batteries fully before first use. The LED signs on the dashboard and the capacity of the batteries may vary during initial usage. Recharge the batteries as soon as possible after they have become fully discharged.

Do not store in freezing or below freezing temperatures.

Disposal: Your Stigo scooter uses sealed lithium-ion batteries, which must be recycled or disposed of in an environmentally safe manner.



14.6. TYRES

Always use proper tyres with your Stigo scooter. The correct dimensions are as follows - 12 1/2 x 2 1/4. Make sure that the tyres are inflated and hold the pressure shown on the outside of the tyre. All tyres have to correspond to type approval for mopeds.

15. SAFETY AND WARNINGS - MODIFICATIONS AND RIDING IN ICY/ WET CONDITIONS

Please Note: This manual is not intended as a detailed service, repair or maintenance manual. Seek professional assistance from a qualified technician for service, repairs or maintenance. The Stigo is mainly developed and designed for commuting and/or simple riding in good weather. Please choose safe speeds that are appropriate for travel in an urban or sub-urban environment. The warranty will be invalidated if the riding style is abusive.

It is prohibited to modify or refinish the Stigo in ANY WAY. The warranty will be void once there has been any modifications or refinishing by a party not authorised to doing so. Any modifications done by users can cause damage, which can increase the risk of accidents or failures. Refinishing can hide structural damage (such as fatigue cracks), which may cause accidents.

The stopping power of the brakes and tyres is dramatically reduced under snowy, icy, cold and/or wet conditions. Traction, braking and visibility are impaired and the risk of accidents is higher than in good weather conditions. Use with utmost care in bad weather conditions and please be aware that the tyres of the Stigo are not designed for slippery conditions. It is not recommended to use the product in rain or wet conditions. If the Stigo gets wet, dry it within 10-15 minutes with a clean and dry soft cloth.

Never use headphones or a mobile phone while riding a Stigo. Please also note that the Stigo e-scooter can operate more quietly than other motorised products. Use care when in the vicinity of pedestrians or others who may have difficulty hearing your approach. Use the horn to sound warnings when appropriate. Do not use at night or when visibility is impaired.

The terms "right" or "left" refer to the rider's right or left when sitting on the Stigo scooter. Maintain a hold on the handlebars at all times. Do not activate the scooter throttle unless you are on the product and in a suitable safe environment.

Keep this product away from small children and remember that this product is only intended for use by persons who are completely comfortable and competent to operate the product.

Always check and adhere to any local laws or regulations that may affect the locations where the Stigo scooter may be used. Maintain a safe distance from cars and other traffic at all times, and only use where permitted and with caution.

Riding an electric scooter does present potential risks and caution is required. As with any such product, an electric scooter has inherent hazards associated with its use (such as falling off or riding it in a hazardous situation). Like any similar product, electric scooters can move and are intended for mobility and it is therefore possible to lose control or otherwise get into dangerous situations. Both children and the adults responsible for supervising them must recognise that if such things occur, a

rider can be seriously injured or die, even when using safety equipment and exercising other precautionary measures. Do not place your feet in front of the footrests while riding a Stigo or sitting on it. By placing your feet in front of the footrests you might get injured. USE THE PRODUCT AT YOUR OWN RISK AND PLEASE USE COMMON SENSE.

Improper use, storage, handling or disposal of a battery or the charger can result in fire, electrocution, serious injury or even death. To reduce the risk of ignition or explosion, always ensure adequate ventilation and non-combustible conditions when using the charger. Turn the Stigo e-scooter off before charging.

Always wear proper protective equipment, including an approved safety helmet. Helmets may be legally required by local law in your area. Follow the helmet manufacturer's instructions for fitting, use and care of your helmet. We recommend wearing a long-sleeved shirt, long pants and gloves to minimise injury or scrapes in the case of an accident. Do not use the product when barefoot or in open-toe shoes. Be sure to keep your shoelaces tied and out of the way, so they do not get caught in the wheels.

Do not let your mobile phone, headphones or anything else distract you from paying full attention to your operation of your Stigo scooter. Your insurance policies may not provide cover for accidents involving the use of a Stigo scooter/electric ride-on product. To determine if coverage is provided, you should contact your insurance company or agent.

Depending on the model, the top speed of this scooter will be approximately 25 km/h (15 mph), which can be affected by conditions, such as rider weight, inclines, tyre inflation and battery charge level. Avoid excessive speeds that can be associated with travelling downhill. Maintain a hold on the handlebars at all times. Do not touch the brakes or motor on your scooter when in use or immediately after use, as these parts can become very hot. Use cautiously. Watch out for potential obstacles that could catch your wheel or force you to swerve suddenly or lose control.

The Stigo scooter is intended for use on flat, dry surfaces, such as pavement or level ground, that are without loose debris, such as sand, leaves, rocks or gravel. Wet, slippery, bumpy, uneven or rough surfaces may impair traction and contribute to possible accidents. Do not ride your scooter in mud, ice, puddles or water. Watch out for potential obstacles that could catch your wheel or force you to swerve suddenly or lose control. Avoid sharp bumps, drainage grates and sudden surface changes. Do not attempt or do stunts

or tricks on your Stigo scooter. The scooter is not made to withstand abuse from misuse, such as jumping, kerb grinding or any other type of stunts. Racing, stunt riding or other manoeuvres also enhance the risk of a loss of control, or they may cause uncontrolled rider actions or reactions.

Do not use at night or when visibility is limited.

NOTE

The manual illustrations are for demonstration purposes only. The illustrations may not reflect the exact appearance of the actual product. The specifications are subject to change without notice.

WEIGHT LIMIT

Do not exceed the weight limit of 100 kg (220 lbs). Rider weight does not necessarily pertain to a person's size being appropriate for maintaining control of the Stigo electric scooter. The weight limit includes clothing and all luggage. Luggage weight should not exceed 10 % of total weight. Exceeding the limit will void all warranties and may result in the product being unsafe. Never allow more than one person at a time to ride the Stigo scooter.

16. WARRANTY

Please check the latest and updated warranty terms and conditions on our website at www.stigobike.com. We are dedicated to ensuring the most enriching experiences for users and hope you have as much fun using it as we did in creating it.

Please keep your original proof of purchase in a safe place. It will be required in the event of a warranty claim.

The manufacturer warrants this product to be free of manufacturing defects for the length of the required warranty period. This warranty does not cover normal wear and tear, tyres, tubes or cables, or any damage, failure or loss caused by improper assembly, maintenance, storage or use of the Stigo scooter.

This warranty will be void if the product is ever:

- used in a manner other than for recreation or transportation;
- modified or refinished in any way;
- rented;

The manufacturer is not liable for incidental or consequential loss or damage due directly or indirectly to the use of this product. For your records, save your original sales receipt with this manual.

17. SERVICE

Please follow the servicing intervals in order to maintain the validity of your Stigo scooter warranty.

Service interval	Done by	Distance	Time
Pre-ride check	User/Owner	Every time before use	Every time before riding
First service	Authorised Stigo Dealer/Reseller	After first 60 miles or 100km	One month after first ride
Visual inspection	User/Owner	Every 300 miles or 500km	Every two months
Annual service	Authorised Stigo Dealer/Reseller	Every 2000 miles or 3200km	Annually

Stigo is a product of Stigo Ltd.
Stigo Ltd
Müürivahe 22, Tallinn 10141
Estonia

www.stigobike.com



BEAUTIFUL RIDE

www.stigobike.com